

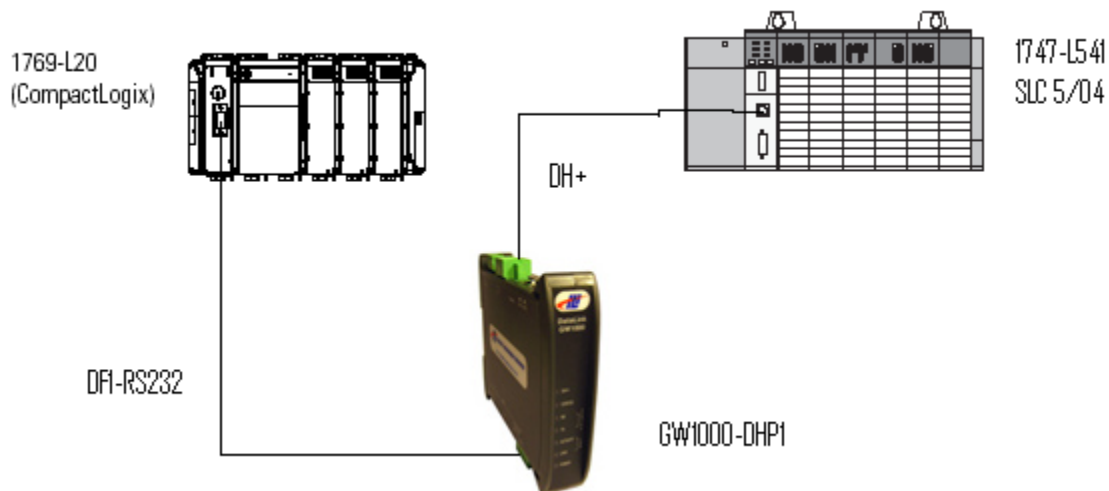
GW1000-DHP1: Compactlogix CH0 DF1 to DH+ Setup

This application note provides an example of setting up a Compactlogix via RS232 CH0 Serial DF1 to DH+.

Additional information is available in the GW1000 User Manual www.datalink-gateways.com or contact our Technical Support at (360) 306-5878 / (866) 709-6390.

Using the following setup:

This example is for setting the GW1000 to Node address 0 and SLC 5/04 is address 1.



Set GW1000 to node **address 0** to match the Default serial port settings of the CompactLogix. See section 4 of the CompactLogix Users Guide.

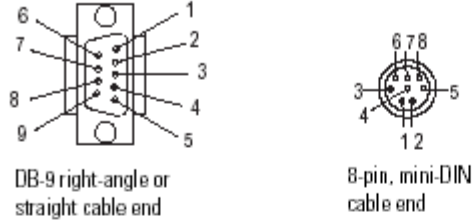
Default Communication Configuration

The CompactLogix 5320 has the following default communication configuration.

Parameter	Default
Baud Rate	19.2K
Parity	none
Source ID (Node Address)	0
Control Lines	no handshaking
Error Detection	BCC
Embedded Responses	auto detect
Duplicate Packet (Message) Detect	enabled
ACK Timeout	50 counts
NAK retries	3 retries
ENQ retries	3 retries
Data Bits	8
Stop Bits	1

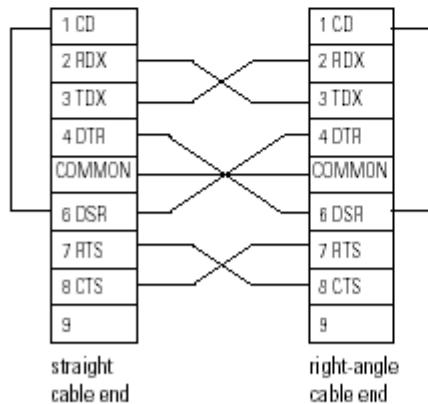
Cabling:

The 1761-CBL-AP00 cable (right-angle bend connector to processor) or the 1761-CBL-PM02 cable (straight connector to the processor) attaches the processor to port 2 on the 1761-NET-AIC isolator. The 8-pin mini-DIN connector is not commercially available, so you cannot make this cable.



Pin:	DB-9 end:	Mini-DIN end:
1	DCD	DCD
2	RxD	RxD
3	TxD	TxD
4	DTR	DTR
5	ground	ground
6	DSR	DSR
7	RTS	RTS
8	CTS	CTS
9	na	na

The 1756-CP3 cable attaches the processor directly to the RS-232 device.



If you make your own cable, it must be shielded and the shields must be tied to the metal shell (that surrounds the pins) on both ends of the cable.

You can also use a 1747-CP3 cable from the SLC product family. This cable has a larger right-angle connector than the 1756-CP3 cable.

Message Configuration - CL_MSG

Configuration | Communication | Tag

Message Type:

Source Tag:

Number Of Elements:

Destination Element:

Enable Enable Waiting Start Done Done Length: 100

Error Code Timed Out ←

Extended Error Code:

Channel Configuration [X]

General | Chan. 1 - System | Chan. 0 - System | Chan. 0 - User

Channel 1

Driver:

Write Protected

Passthru Link ID (dec)

Edit Resource/Owner Timeout (x1 sec)

Diagnostic File

Channel 0

System Driver: User Driver:

Mode: Mode Change Enabled

Write Protected Mode Attention Character

Passthru Link ID (dec) System Mode Character

Edit Resource/Owner Timeout (x 1sec) User Mode Character

Diagnostic File

OK Cancel Apply Help

Message Configuration - SLC_Out_Message

Configuration | Communication | Tag

Path: 2, 192.168.1.50
2, 192.168.1.50

Browse...

Communication Method

CJP DH+ Channel: 'A' Destination Link: 0

CIP With Source ID Source Link: 0 Destination Node: 1 (Octal)

Connected Cache Connections

Enable Enable Waiting Start Done Done Length: 0

Error Code: 16#0001 Extended Error Code: 16#0000_0311 Timed Out

Error Path: 2, 192.168.1.50
Error Text: Connection failure

OK Cancel Apply Help

Rev. 1.08